

12.0mm Square Tact Switch (Vertical, TH/SMT Type)



TSL-01/ 07S/T-200H


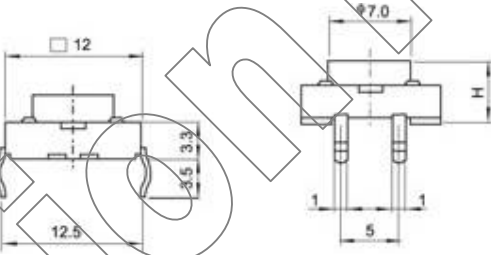
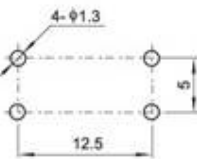

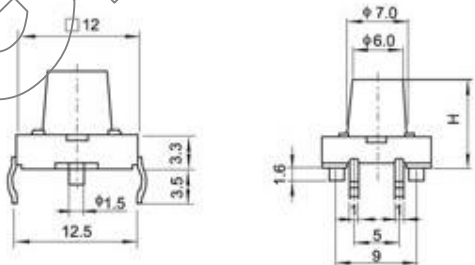
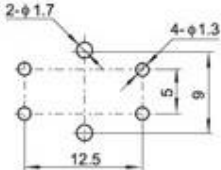
TB - Tact Switch
 L - L Serious
 01 / 07 – Type
 S – SMT Type
 T - TH Type
 XXX - Action Force (gram)
 H - With Post (Optional)


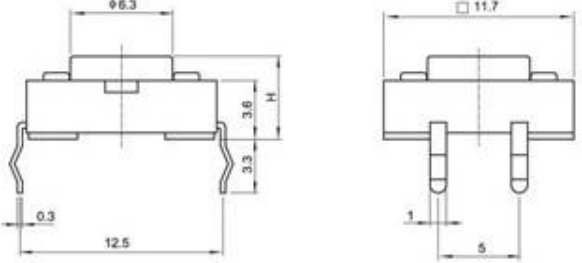
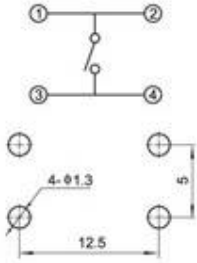

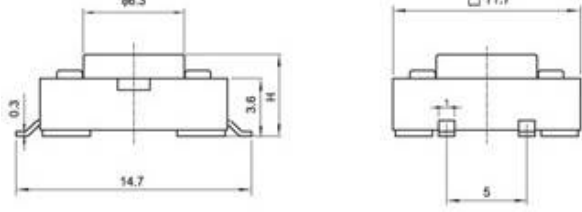
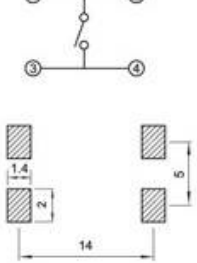

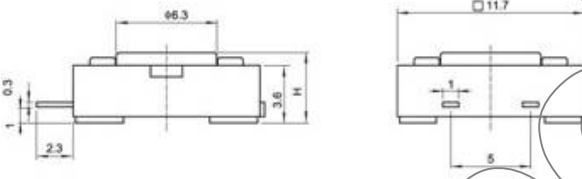
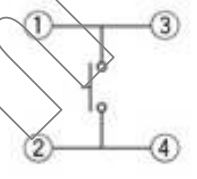

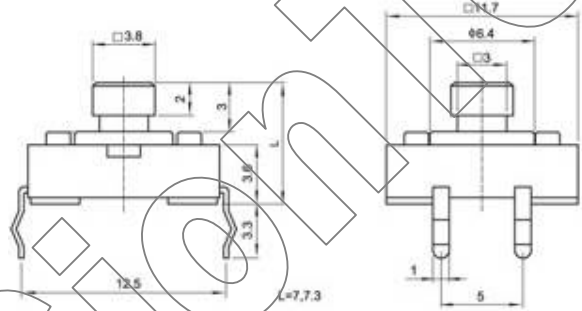
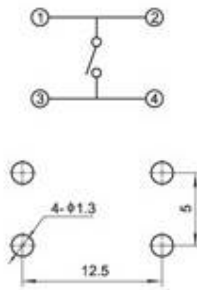

SPECIFICATIONS

Mechanical Life: 100,000 cycles
 Operating Force: 200g±70g
 Rating: 50mA 12V DC
 Dielectric Withstanding: 250V AC/minute
 Insulator Resistance: ≥ 100 MΩ at 100V
 Contact Resistance: ≤ 100 mΩ/Contact
 Operating Temperature: -20°C ~ +70°C
 Storage Temperature: -40°C ~ +85°C

Material

Base: PA6T/LCP, UL94V-0
 Contact material: Phosphor Bronze
 Contact Spring Plating: Stainless Steel/Silver Plating

Physical Picture	Outline Drawing	Circuit
 TSL-01T-200		
 TSL-02T-200H		

 <p>TSL-03T-200</p>		
 <p>TSL-04S-200</p>		
 <p>TSL-05S-200</p>		
 <p>TSL-06T-200</p>		
 <p>TSL-07T-200</p>	